

JVC

SCHEMATIC DIAGRAMS

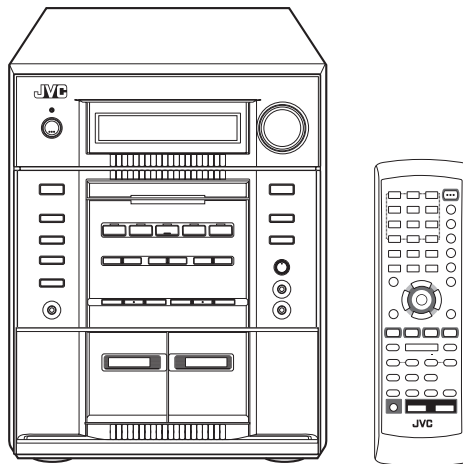
COMPACT COMPONENT SYSTEM

MX-JD8

CD-ROM No.SML200407

Area suffix

US ----- Singapore
UW ----- Brazil, Mexico, Peru
UX ----- Saudi Arabia
UN ----- Asean



CA-MXJD8



AV COMPULINK EXTENDED SUPER BASS

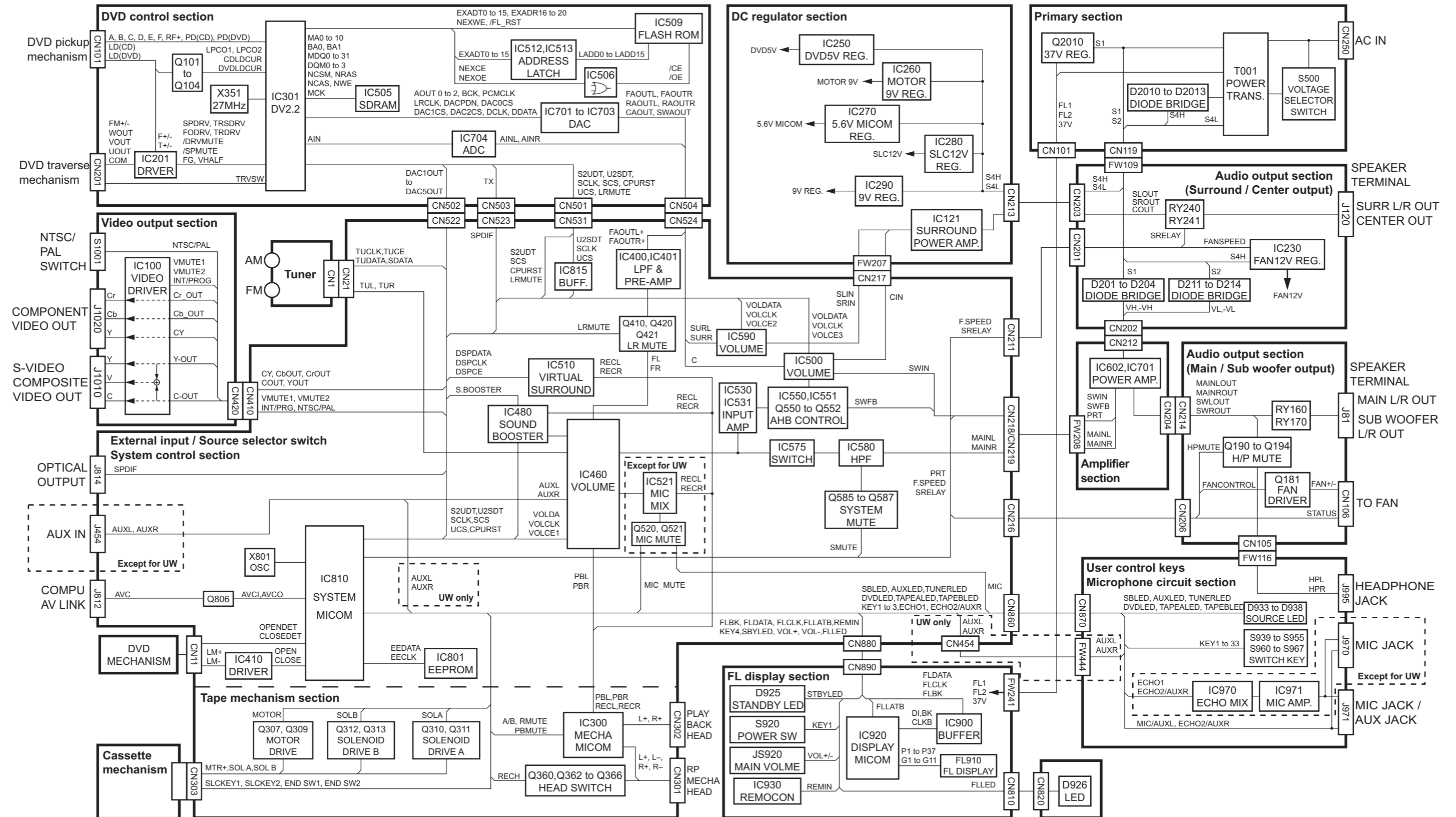
Contents

Block diagram	2-1
Standard schematic diagrams	2-2
Printed circuit boards	2-9 to 12

In regard with component parts appearing on the silk-screen printed side (parts side) of the PWB diagrams, the parts that are printed over with black such as the resistor (■), diode (▬) and ICP (●) or identified by the "⚠" mark nearby are critical for safety.

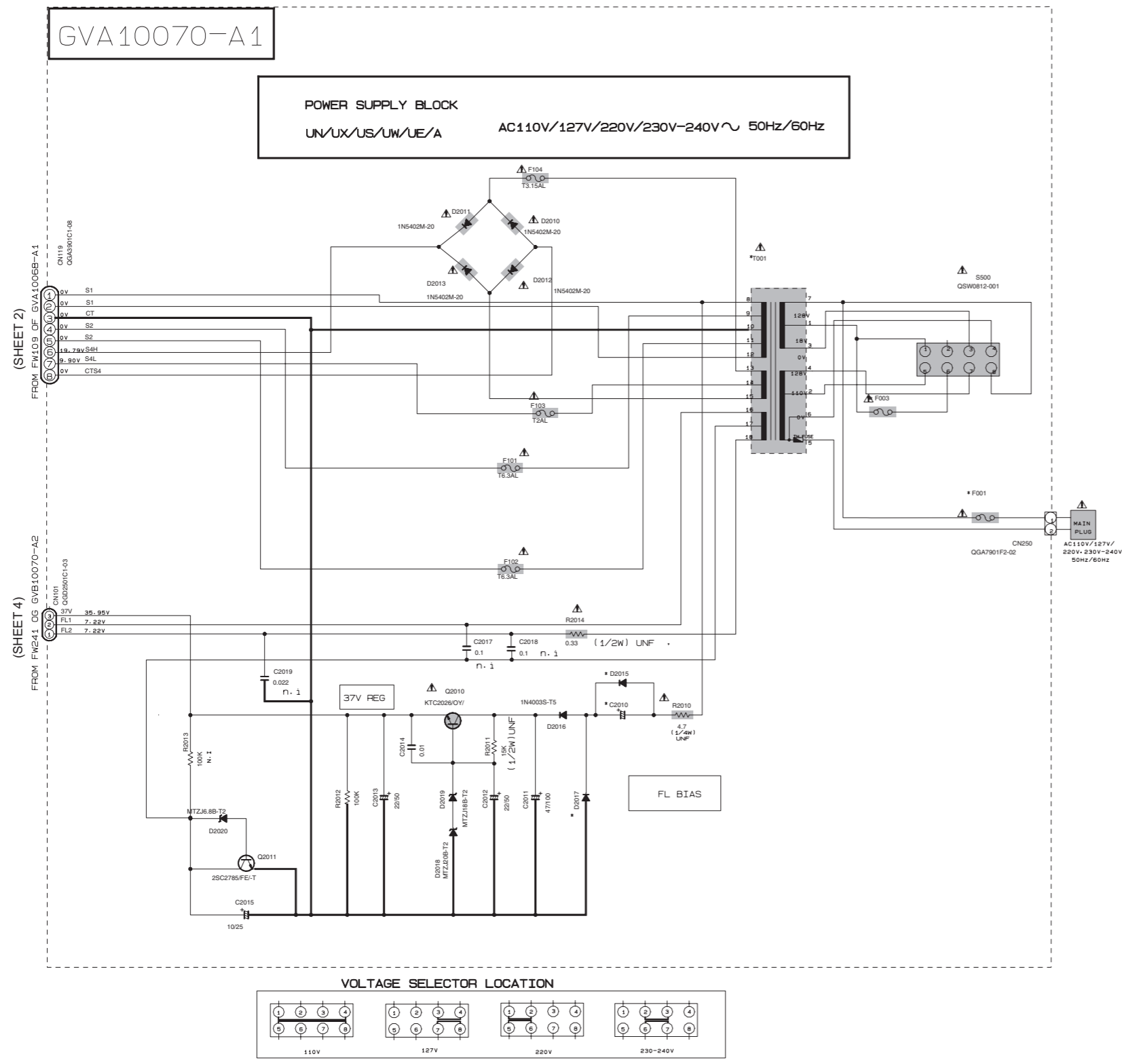
(This regulation does not correspond to J and C version.)

Block diagram



Standard schematic diagrams

Primary board with main transformer section



EXPLANATION OF OVERALL SCHEMATIC

SHEET NUMBER	
1	PRIMARY BOARD WITH MAIN TRANSFORMER
2	DC REGULATOR/AUDIO OUTPUT
3	EXTERNAL INPUT, SOURCE SELECTOR SWITCH+ SYSTEM CONTROL
4	FL DISPLAY, USER CONTROL KEYS VIDEO OUTPUT, MIC CIRCUIT
5	TAPE CIRCUIT, MECHANISM CONTROL
6	DVD CONTROL SYSTEM (1/2)
7	DVD CONTROL SYSTEM (2/2)

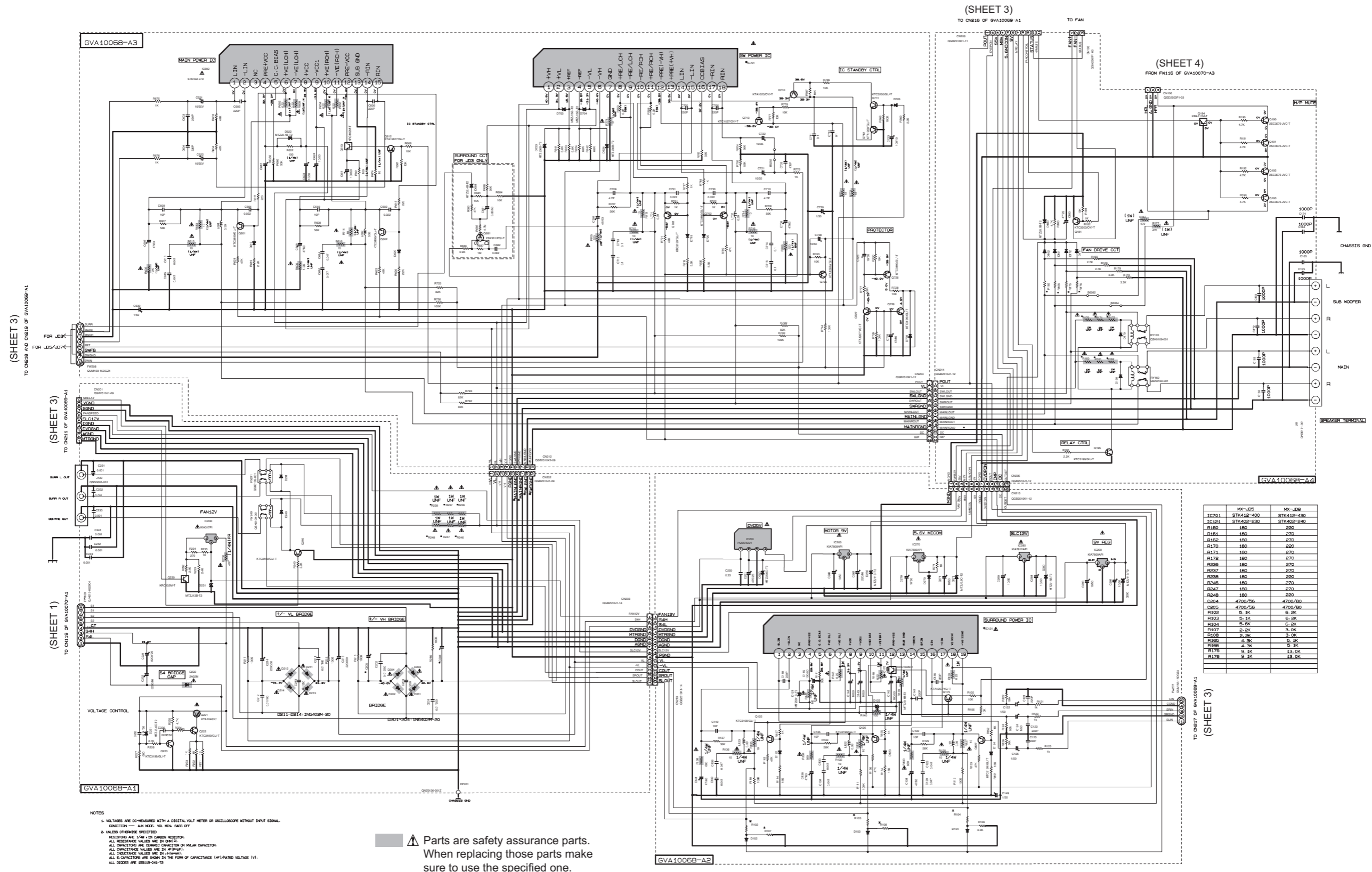
VERSION CODE

UW	: SOUTH AMERICA
UN	: ASEAN
UX	: SAUDI ARABIA
UE	: TURKEY
US	: SINGAPORE AND UNIVERSAL EXCEPT ALL ABOVE
A	: AUSTRALIA

	MX-JD5	MX-JDB
F001	T4AL	T5AL
F003	T2AL	T2.5AL
T001	GGT0438-001	GGT0439-001
D2015	1N40035-T5	QUY150-050Y
C2010	100/63	n.i
D2017	1N40035-T5	n.i

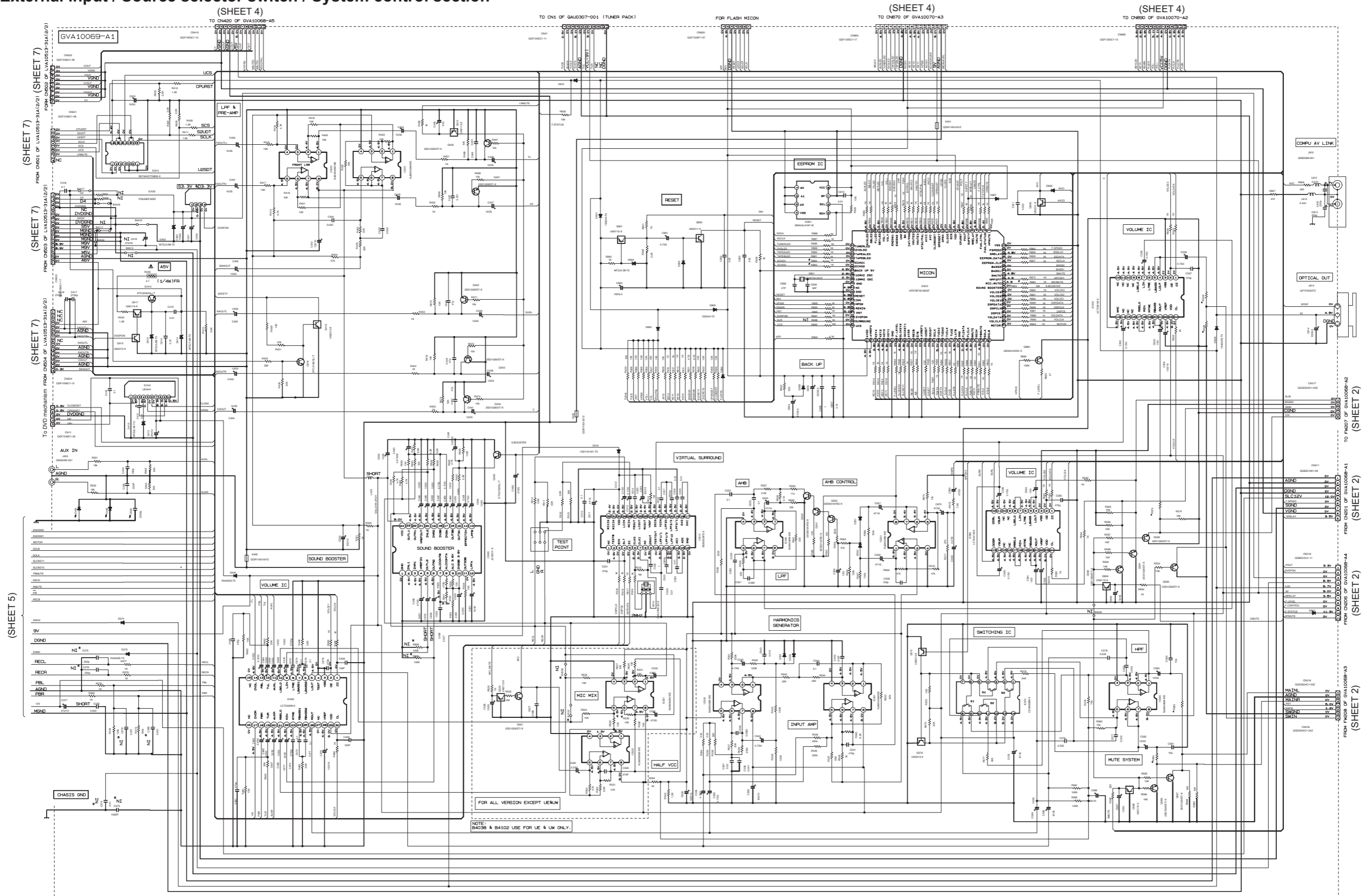
⚠ Parts are safety assurance parts. When replacing those parts make sure to use the specified one.

DC regulator / Audio output section



⚠ Parts are safety assurance parts. When replacing those parts make sure to use the specified one.

External input / Source selector switch / System control section



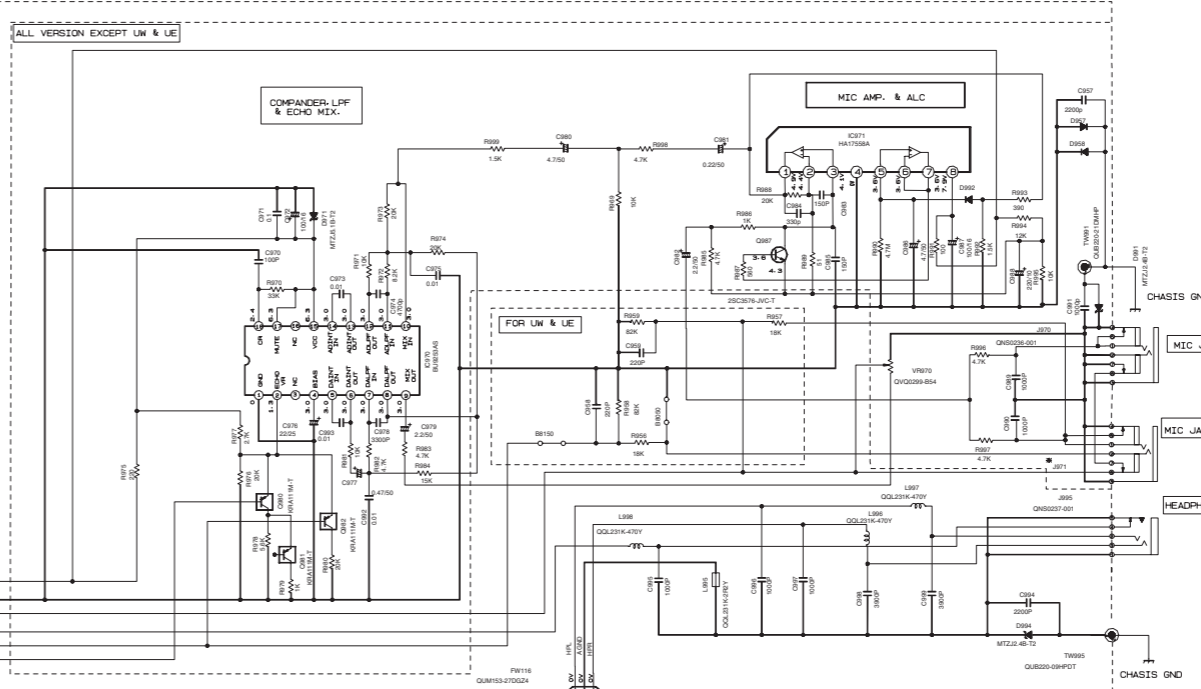
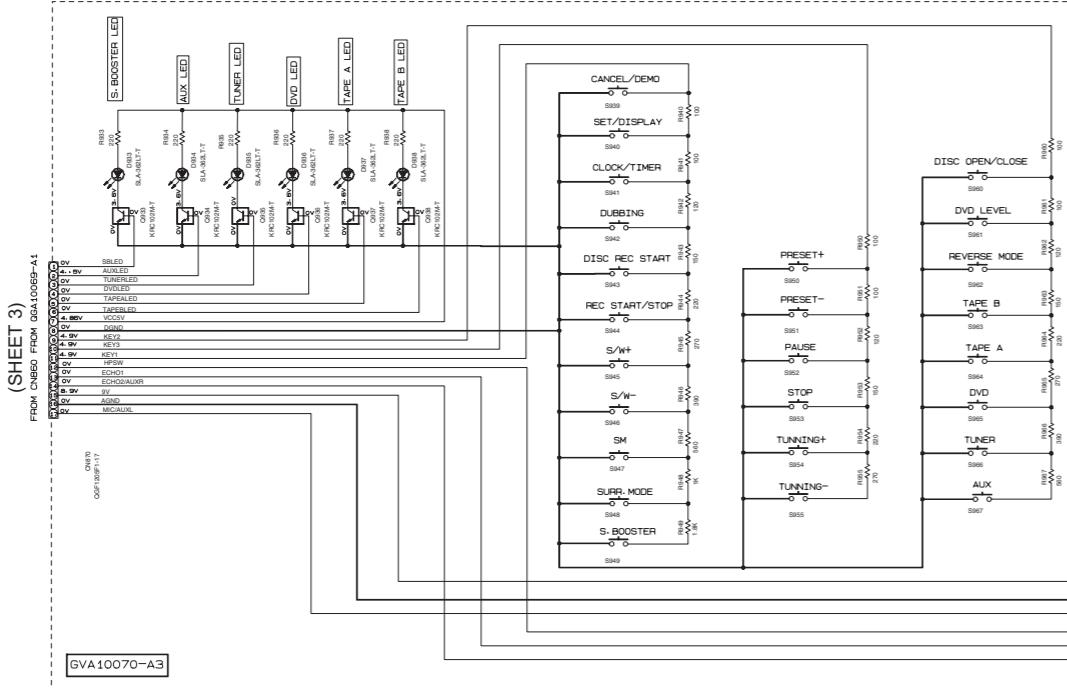
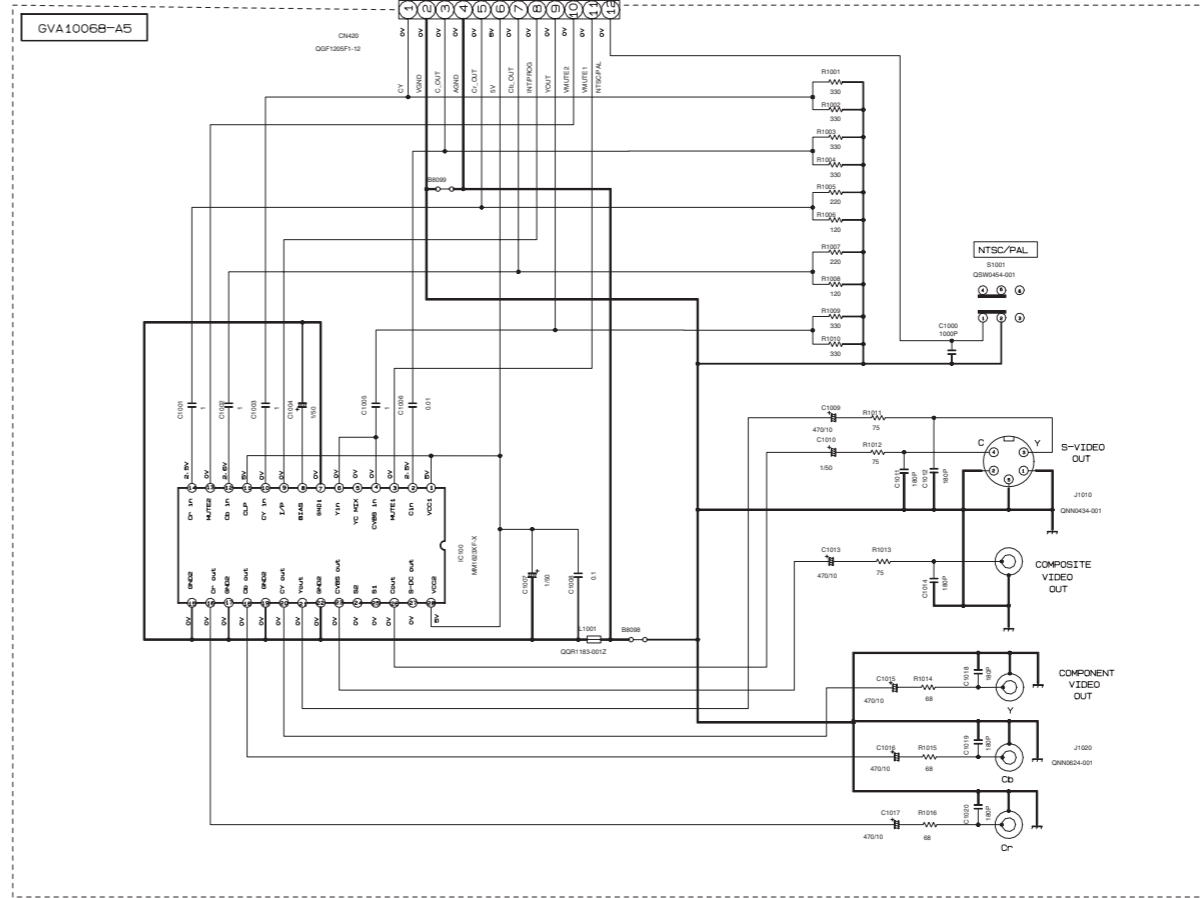
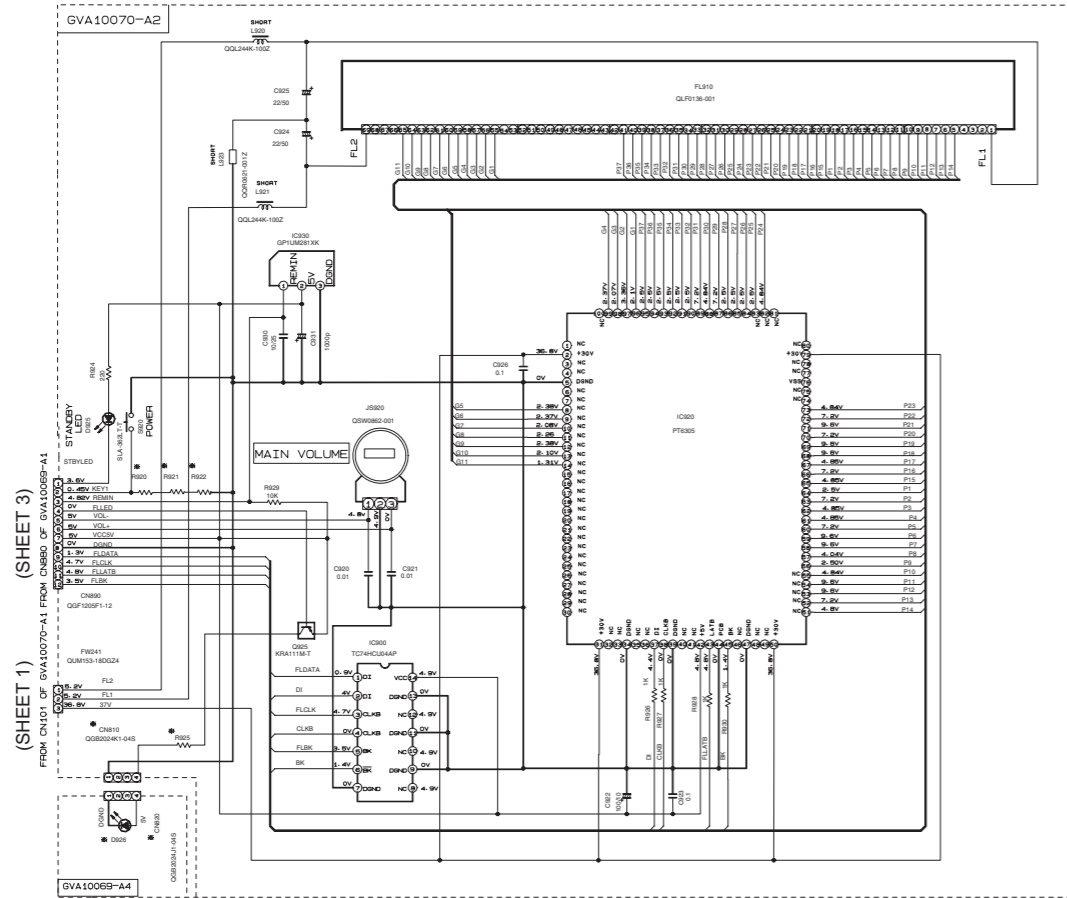
REF. NO.	PC-JDS	PC-JDB
R508	NRS463J-203X	NRS463J-912X
R509	NRS463J-332X	NRS463J-332X
R573	NRS463J-332X	NRS463J-102X
R583	QRE141J-512Y	QRE141J-102Y
R584	QRE141J-512Y	QRE141J-102Y
R579	QRE141J-753Y	QRE141J-753Y
R580	QRE141J-753Y	QRE141J-753Y

⚠ Parts are safety assurance parts.
When replacing those parts make
sure to use the specified one.

NOTE: # ———> NOT INSERT FOR UE & UW VERSION

NOTES:
1. VOLTAGES ARE DC-HEADLED WITH A DIGITAL VOLT METER OR OSCILLOSCOPE WITHOUT INPUT SIGNAL.
CHARACTER "AN RES." VOL. RES. BASS OFF
2. UNLESS OTHERWISE SPECIFIED:
RESISTORS ARE 1/4W, 5% CARBON RESISTOR.
CAPACITORS ARE TANTALUM CAPACITOR OR MILAR CAPACITOR.
ALL CAPACITORS ARE TANTALUM CAPACITOR OR MILAR CAPACITOR.
ALL INDUCTANCE VALUES ARE IN MH(MH).
ALL CAPACITORS ARE BULKY IN THE FORM OF CAPACITANCE (4W/16VATED VOLTAGE (V)).
ALL DIODES ARE 1N4148.
REPLACE BY B05 V50E

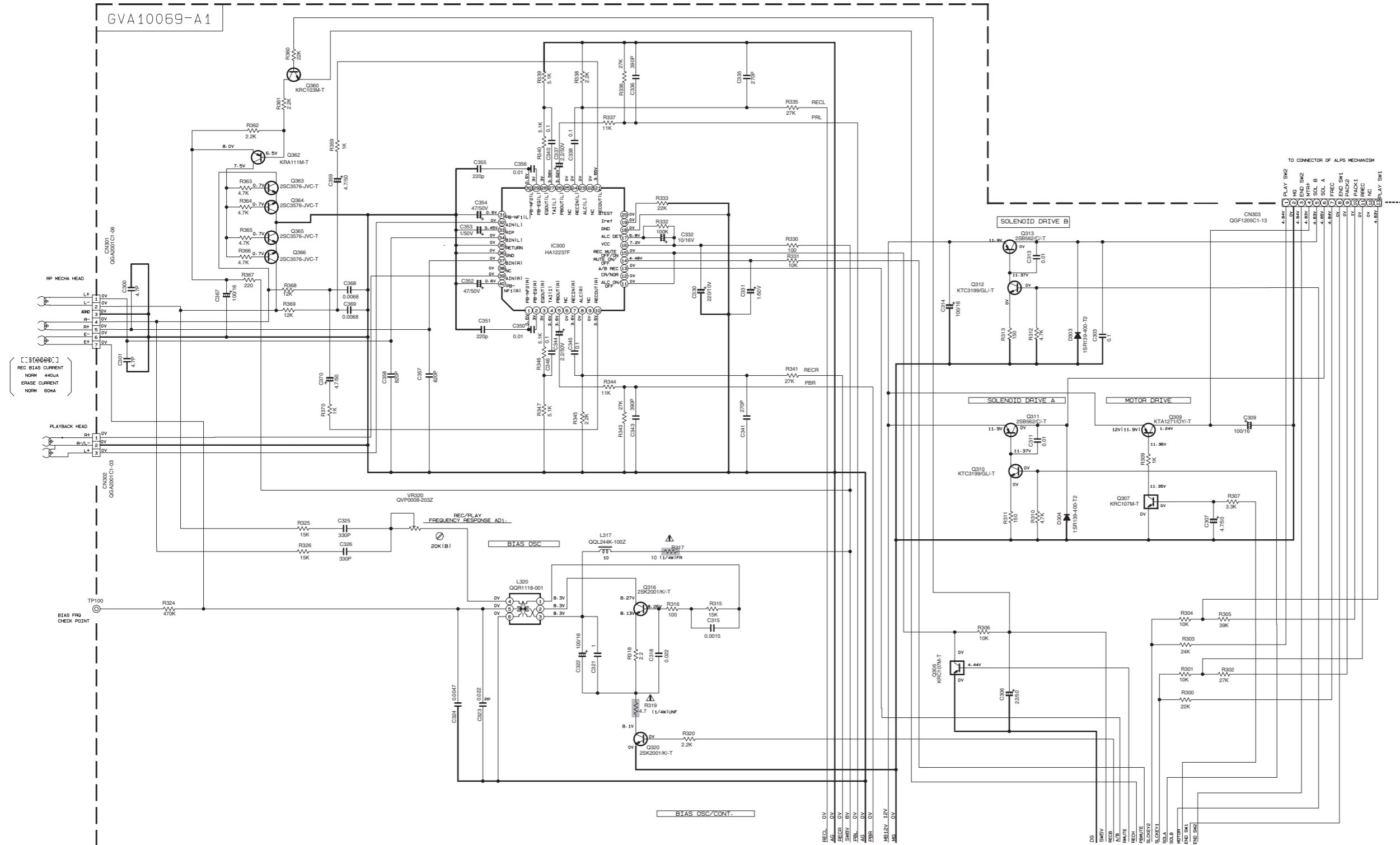
FL display / User control keys / Video output / Microphone circuit section



VERSION REF. NO.	MX-JD3			MX-JD5			MX-JD8			REMARK		
	UN/US/EE	UX	UE	UN/US	UX	UE	UN/US	UX	UE			
R820 (B8003)	100	200	200	470	470	2K	470	9.1K	1.2K	2K	VER. SETTING FOR KEY1	
R821 (B8005)	SHORT	SHORT	120	SHORT	220	910	270	150	910	150	VER. SETTING FOR KEY2	
R822 (B8006)	SHORT	SHORT	SHORT	SHORT	SHORT	1.6K	270	300	SHORT	200	SHORT	VER. SETTING FOR KEY3
CN810	NONE	NONE	NONE	USE	USE	USE	USE	USE	USE	USE	USE	
CN820	NONE	NONE	NONE	USE	USE	USE	USE	USE	USE	USE	USE	
D926	NONE	NONE	NONE	SLI-343URC3F	SLI-343URC3F	SLI-343URC3F	SLI-343URC3F	SLI-343URC3F	SELL2210C-P	SELL2210C-P	SELL2210C-P	
J971	QNS0236-001	QNS0236-001	QNS0236-001	QNS0236-001	QNS0236-001	QNS0236-001	QNS0236-001	QNS0236-001	QNS0236-001	QNS0236-001	QNS0236-001	
R826	NONE	NONE	NONE	200	200	200	200	200	150	150	150	

NOTES
 1. VOLTAGES ARE DC-MEASURED WITH A DIGITAL VOLT METER OR OSCILLOSCOPE WITHOUT INPUT SIGNAL.
 2. UNLESS OTHERWISE SPECIFIED
 RESISTORS ARE 1/4W ±5% CARBON RESISTOR.
 ALL RESISTANCE VALUES ARE IN OHM (Ω).
 ALL CAPACITORS ARE CERAMIC CAPACITOR OR MYLAR CAPACITOR.
 ALL CAPACITANCE VALUES ARE IN PF (PF).
 ALL INDUCTANCE VALUES ARE IN MH (MH).
 ALL E-CAPACITORS ARE SHOWN IN THE FORM OF CAPACITANCE (μF)/RATED VOLTAGE (V).
 ALL DIODES ARE 1N5138-T2.
 ALL TACT SWITCHES ARE GEM0074-0012.

■ Tape circuit / Mechanism control section



NOTES

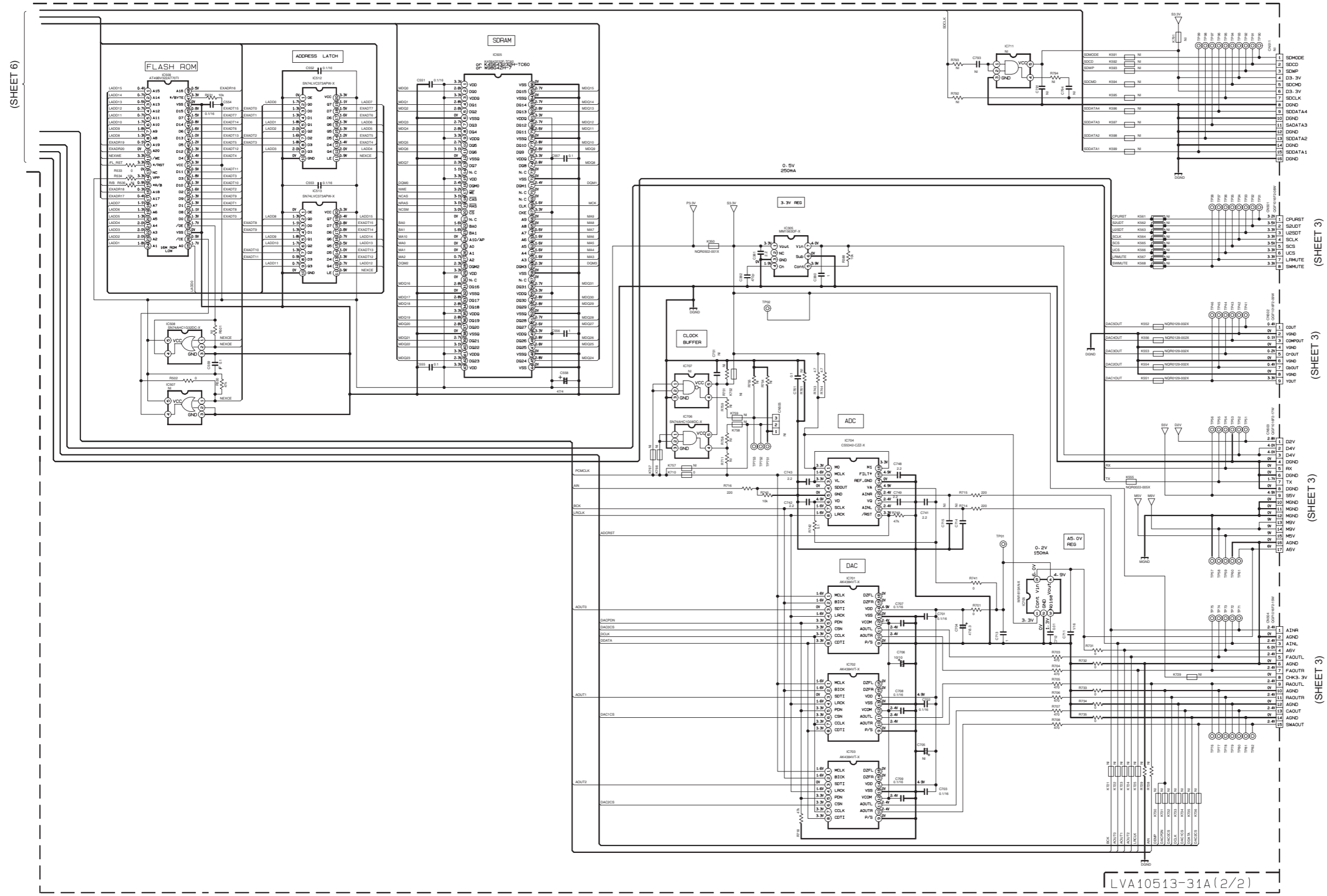
1. VOLTAGES ARE DC-MEASURED WITH A DIGITAL VOLT METER OR OSCILLOSCOPE WITHOUT INPUT SIGNAL. CONDITION : MECHA STOP MODE

2. UNLESS OTHERWISE SPECIFIED, RESISTORS ARE 1/10W ±5% METAL GLAZE RESISTOR. ALL RESISTANCE VALUES ARE IN Ω(M)A. ALL CAPACITORS ARE CERAMIC CAPACITOR OR MYLAR CAPACITOR. ALL CAPACITANCE VALUES ARE IN #F(P)P(F). ALL INDUCTANCE VALUES ARE IN #H(M)M(H). ALL E. CAPACITORS ARE SHOWN IN THE FORM OF CAPACITANCE (#F) / RATED VOLTAGE (V). ▬ POLYPROPYLENE CAPACITOR

GUARD BAND NOT CONNECT TO NET

▲ Parts are safety assurance parts. When replacing those parts make sure to use the specified one.

■ DVD control system section (2/2)



(SHEET 6)

(SHEET 3)

(SHEET 3)

(SHEET 3)

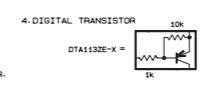
(SHEET 3)

(SHEET 3)

LVA10513-31A(2/2)

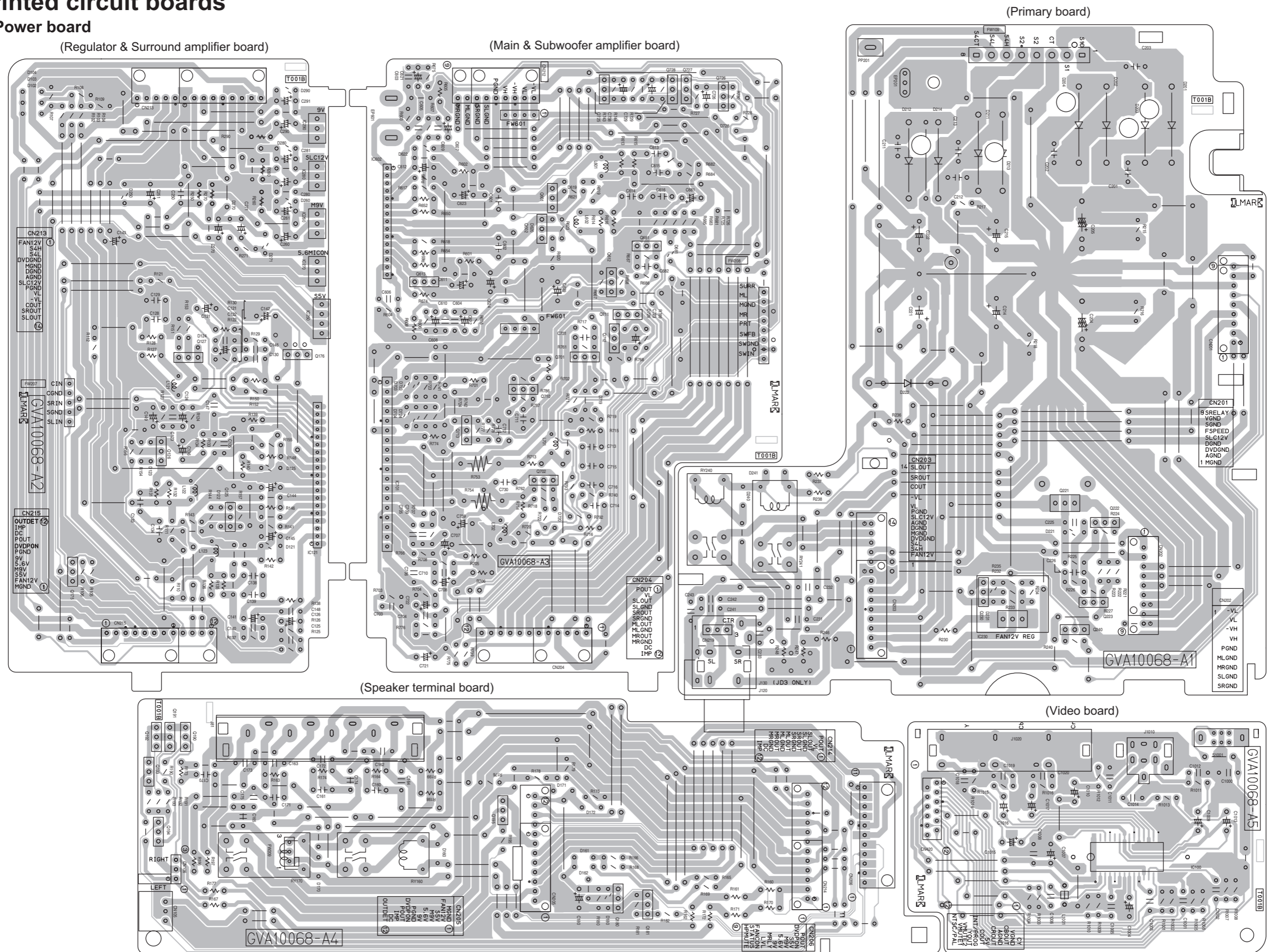
NOTES

- VOLTAGES ARE DC-MEASURED WITH A DIGITAL VOLT METER WITHOUT INPUT SIGNAL. CONDITION: DVD DISC IN MODE: DVD STOP
- UNLESS OTHERWISE SPECIFIED, ALL RESISTORS ARE 1/10W ±5% METAL GLAZE RESISTOR, OR 0.5X METAL GLAZE RESISTOR. ALL CAPACITORS ARE 50V, 20V OR 16V CERAMIC CAPACITOR. ALL RESISTANCE VALUES ARE IN Ω(MH). ALL CAPACITANCE VALUES ARE IN μ(F)(PF). ALL ELECTROLYTIC CAPACITORS ARE SHOWN IN THE FORM OF CAPACITANCE(μF)/RATED VOLTAGE (V). ALL INDUCTANCE VALUES ARE IN μ(H)(MH).
- NI STANDS FOR NOT INSERTED PARTS.



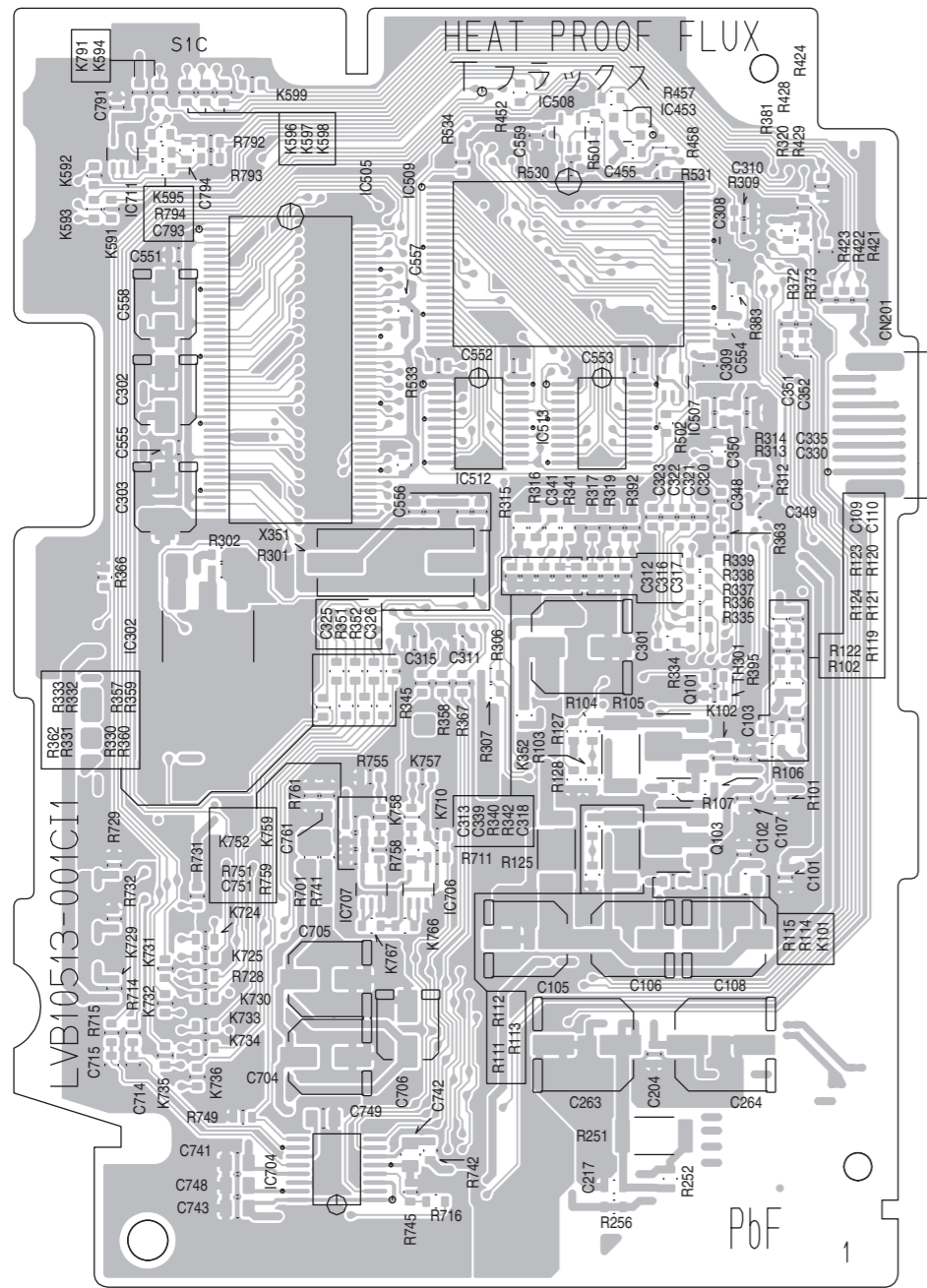
Printed circuit boards

Power board

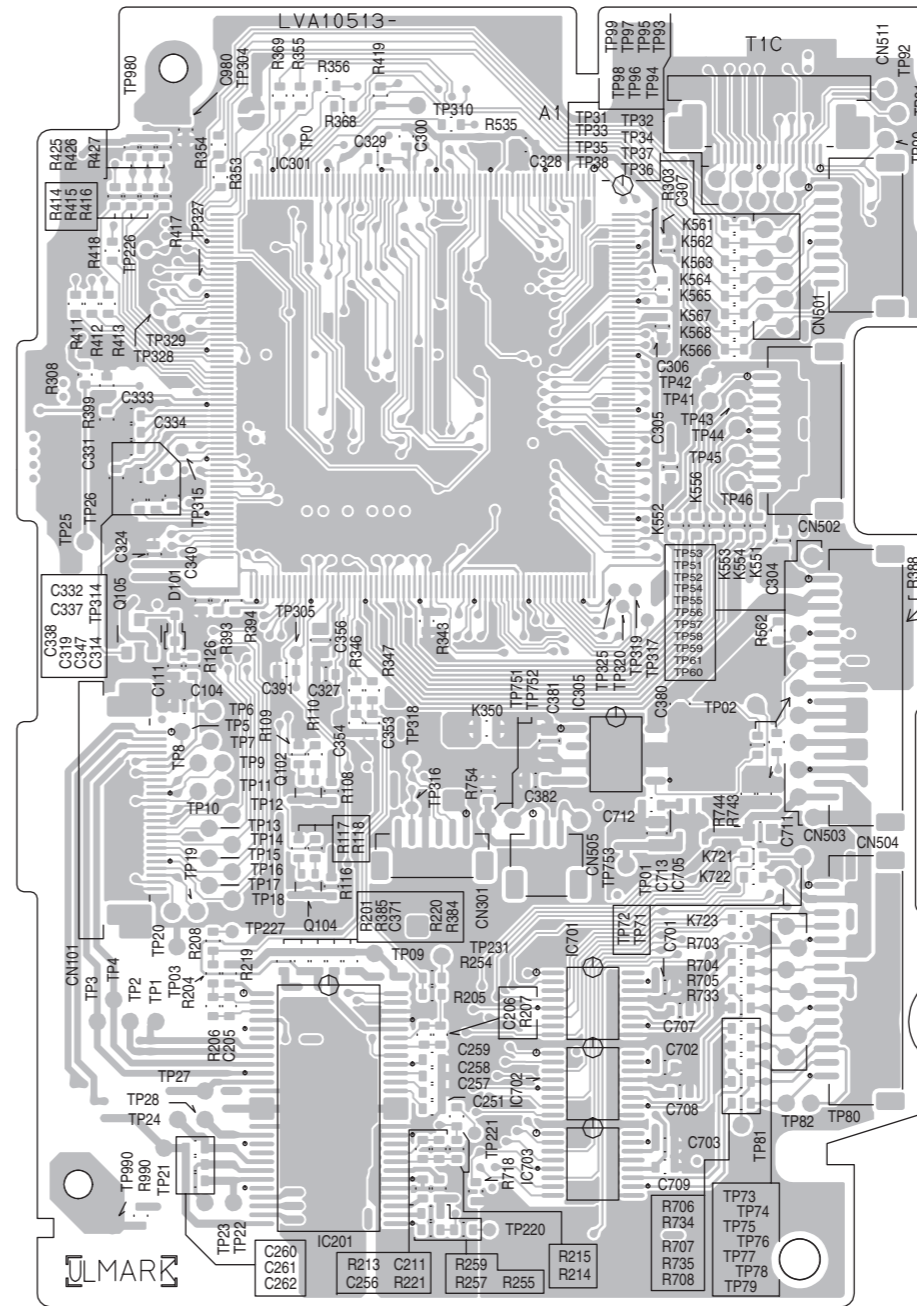


■ DVD servo board

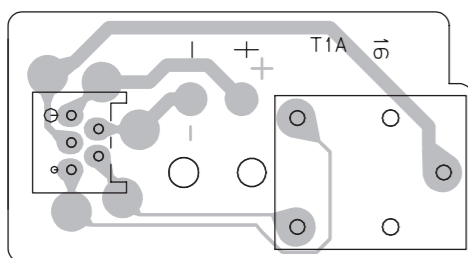
Forward side



Reverse side



■ DVD loading switch board



< MEMO >

JVC

Victor Company of Japan, Limited

AV & MULTIMEDIA COMPANY AUDIO/VIDEO SYSTEMS CATEGORY 10-1, 1chome, Ohwatari-machi, Maebashi-city, 371-8543, Japan

(No.MB282SCH)



Printed in Japan
WPC